

AXOR Urquiola
Single lever basin mixer 280 for washbowls with waste set
 Surfaces: **Chrome** Article Number: **11035000**



Description

product features

- consists of: single lever basin mixer, waste set
- ComfortZone 280
- projection 198 mm
- normal spray
- flow rate at 3 bar: 5 l/min
- ceramic cartridge
- temperature limitation adjustable
- suitable for continuous flow water heaters
- non-closing waste set
- connection dimension: DN15
- handle position on the side: top-side at the spout (generally suitable for wash bowls)

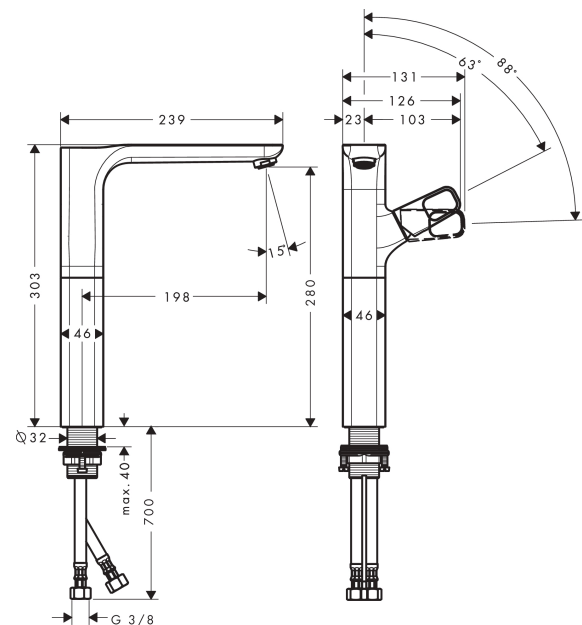
Technology



Product image



Scale drawing



Flowchart

